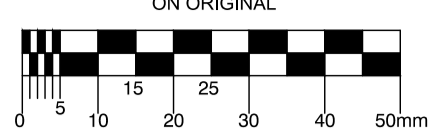


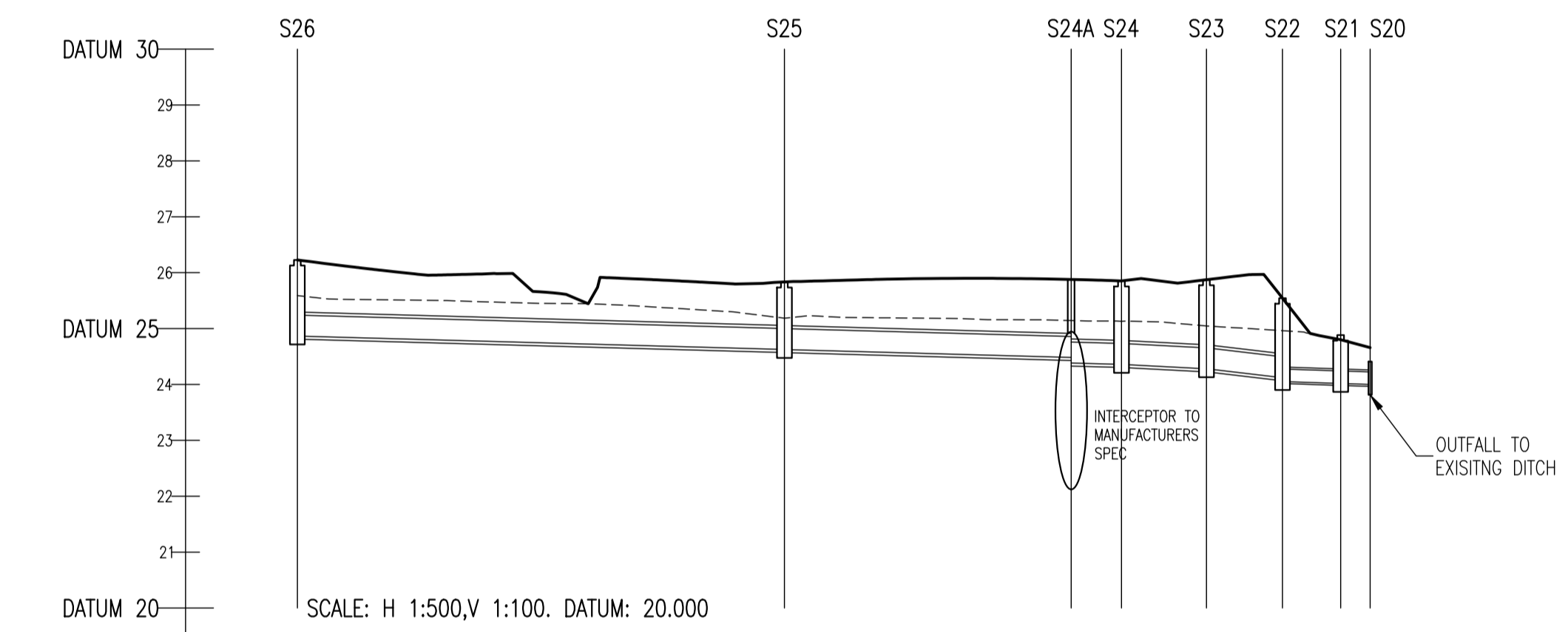
COVER LEVEL	28.412	28.931	29.114	28.181	28.228
INVERT LEVEL	26.830	26.662 26.587	26.044 26.044	25.614 25.614	24.941
DEPTH (m)	1.582	2.006	3.070	2.567	1.362
DISTANCE (m)	28.60	89.60	86.01	80.69	
PIPE SLOPE	1:170	1:165	1:200	1:120	
PIPE SIZE	225mm	300mm	300mm	300mm	

© COPYRIGHT OF THIS DRAWING IS RESERVED BY DBFL CONSULTING ENGINEERS. NO PART SHALL BE REPRODUCED OR TRANSMITTED WITHOUT THEIR WRITTEN PERMISSION.

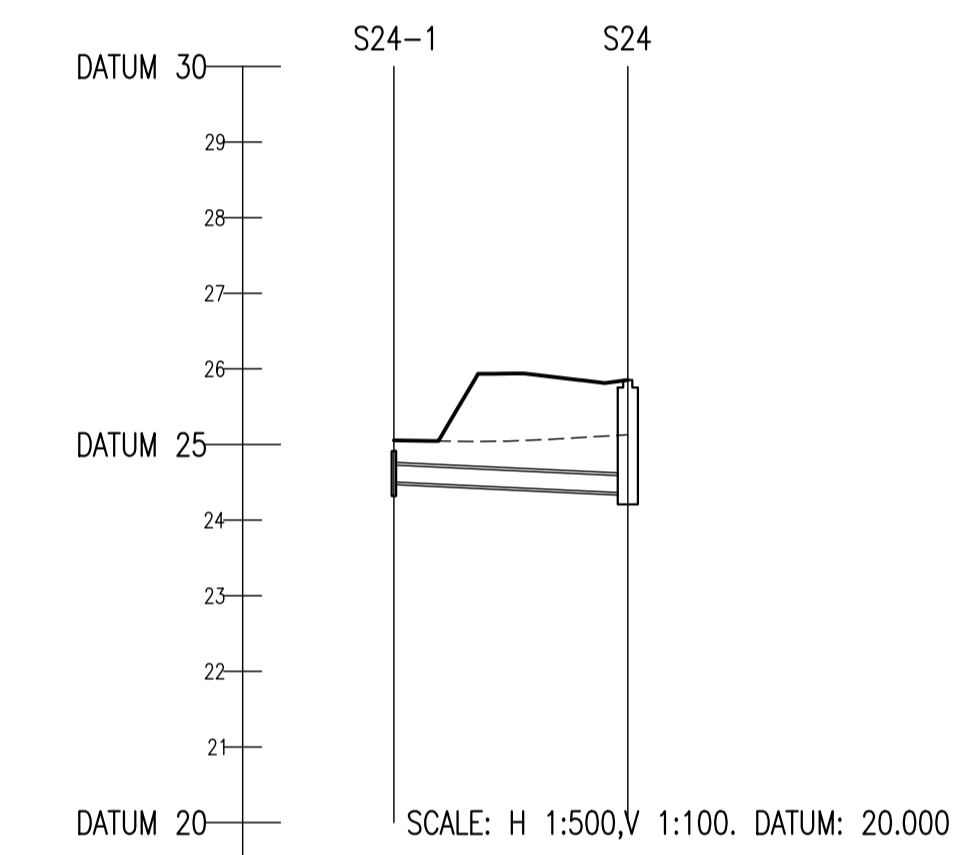


- NOTES:
- ALL DRAWINGS TO BE CHECKED BY CONTRACTOR ON SITE AND ENGINEER INFORMED OF DISCREPANCIES BEFORE WORK COMMENCES
  - ALL LEVELS ARE IN METRES AND ARE RELATED TO ORDNANCE DATUM
  - CONTRACTOR SHALL SATISFY HIMSELF AS TO THE ACCURACY OF PAVEMENT LEVELS ON SITE PRIOR TO COMMENCEMENT OF WORKS ON SITE
  - ALL WORKS TO BE CONSTRUCTED IN ACCORDANCE WITH THE NRA SPECIFICATION FOR ROAD WORKS UNLESS NOTED OTHERWISE
  - THIS DRAWING IS FOR PLANNING PURPOSES ONLY
  - MANHOLE COVER LEVELS ARE TO CONFORM WITH FINISHED ROAD AND PATH LEVELS
  - WHERE COVER TO PIPE IS LESS THAN 1200mm (ROAD/PATH/VERGE) OR 900mm (OPEN SPACE) SURROUND PIPE IN MINIMUM 150mm CONCRETE

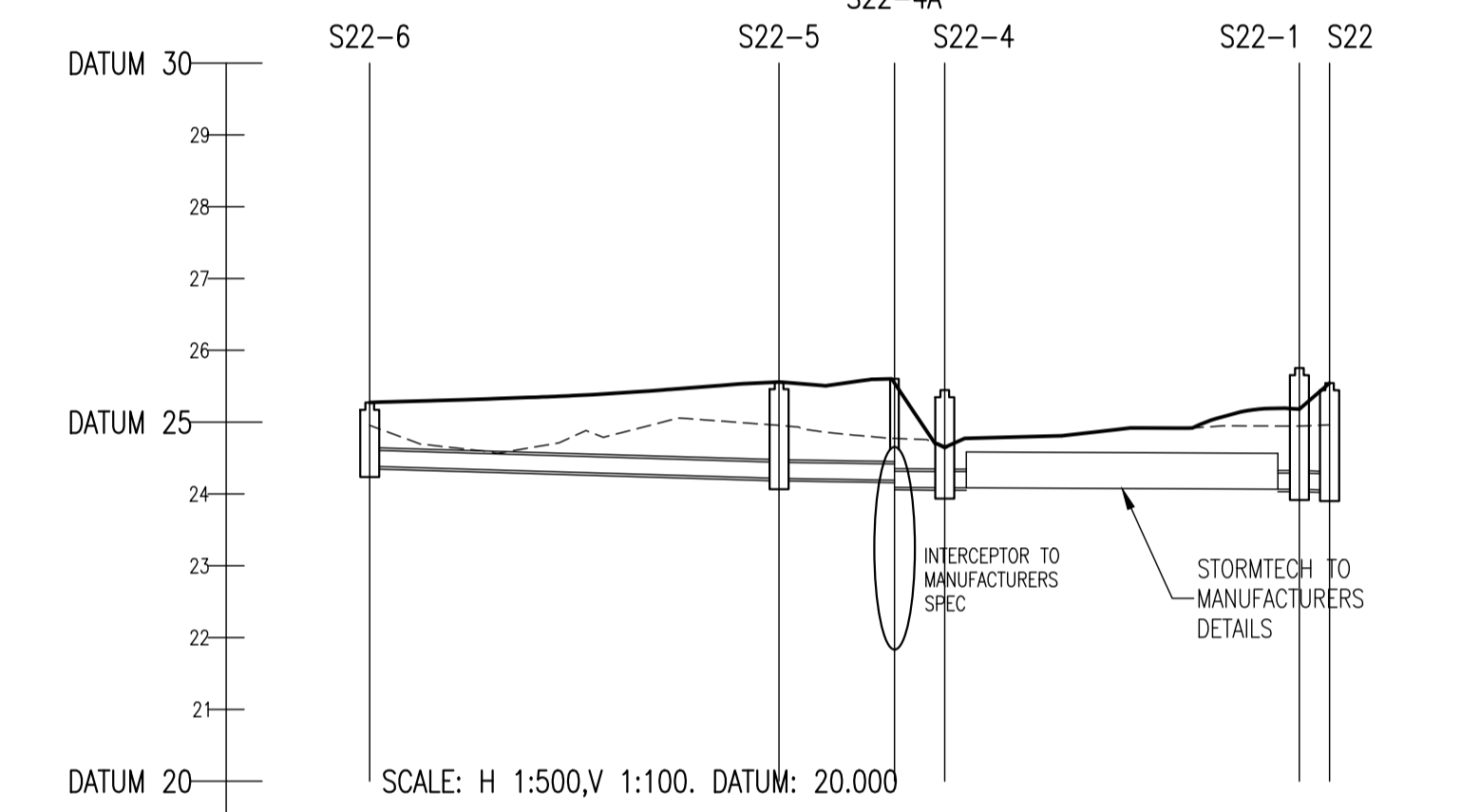
KEY  
 - - - - - EXISTING GROUND PROFILE  
 \_\_\_\_\_ PROPOSED GROUND PROFILE



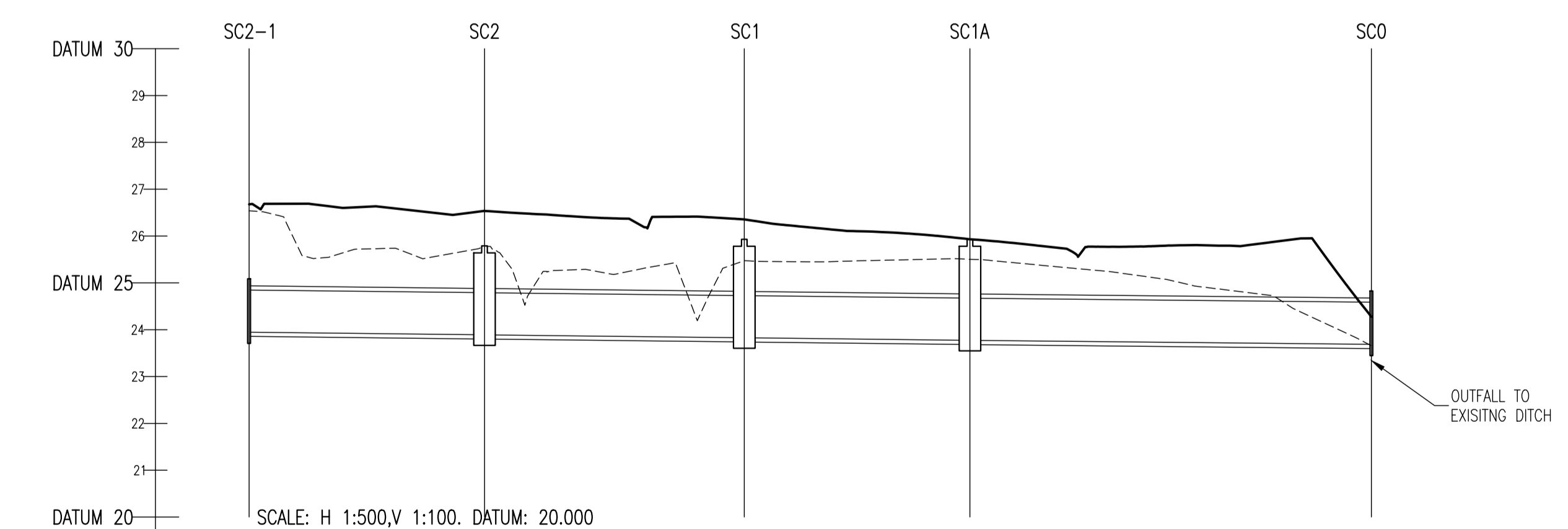
COVER LEVEL	26.228	25.834	25.878	25.822	25.545	24.483	24.410	24.017	24.000
INVERT LEVEL	24.886	24.625 24.625	24.383 24.359	24.483	24.359	24.280 24.280	24.170	24.052 24.017	24.000
DEPTH (m)	1.342	1.209	NA	1.493	1.493	1.594	1.493	0.866	???
DISTANCE (m)	43.55	25.64	4.50	7.60	6.80	5.20	2.64		
PIPE SLOPE	1:181	1:180	1:187	1:96	1:43	1:149	1:155		
PIPE SIZE	375mm	375mm	375mm	375mm	375mm	225mm	225mm		



COVER LEVEL	24.914	25.822
INVERT LEVEL	24.504	24.359
DEPTH (m)	???	1.483
DISTANCE (m)	15.47	
PIPE SLOPE	1:107	
PIPE SIZE	225mm	



COVER LEVEL	25.272	25.559	24.472	25.444	25.254	25.545
INVERT LEVEL	24.385	24.217 24.217	24.192 24.092 24.096	24.088 24.088	24.086 24.086	24.083
DEPTH (m)	0.887	1.342	???	1.360	1.888	1.483
DISTANCE (m)	28.50	8.04	3.50	1.50	1.50	
PIPE SLOPE	1:170	1:321	Horizontal	Horizontal	Horizontal	
PIPE SIZE	225mm	225mm	225mm	225mm	225mm	



COVER LEVEL	23.087	25.791	25.931	25.931	24.827
INVERT LEVEL	23.947	23.950 23.950	23.828 23.828	23.773 23.773	23.887
DEPTH (m)	???	1.900	2.103	2.158	28.160
DISTANCE (m)	25.14	27.73	24.09	42.86	
PIPE SLOPE	1:442	1:442	1:443	1:500	
PIPE SIZE	900mm	900mm	900mm	900mm	

REV.	DATE	DESCRIPTION	BY	CHKD.
<b>PLANNING SHD STAGE 3</b>				
DESIGNED	DMW	PREPARED	DJG	
DATE	OCT 2019	CHECKED	DJR	

DBFL Consulting Engineers  
 Dublin Office: Ormrod House, Upper Ormrod Quay, Dublin 7, Ireland. PHONE +353 1 400 4000 FAX +353 1 400 4050  
 Waterford Office: Unit 2, The Chandlery, 1-2 O'Connell Street, Waterford, Ireland. PHONE +353 51 338 550 FAX +353 51 844 913  
 Email: info@dbfl.ie site: www.dbfl.ie

PROJECT  
**STRATEGIC HOUSING DEVELOPMENT AT COLPE WEST, DROGHEDA, CO. MEATH**

DRG. TITLE  
**LONGITUDINAL SECTIONS THROUGH SURFACE WATER SHEET 8**

CLIENT  
**SHANNON HOMES DROGHEDA LTD.**

SCALE AS SHOWN @A1 FILE REF. 170092-3081  
 DRG. NO. **170092-3088**